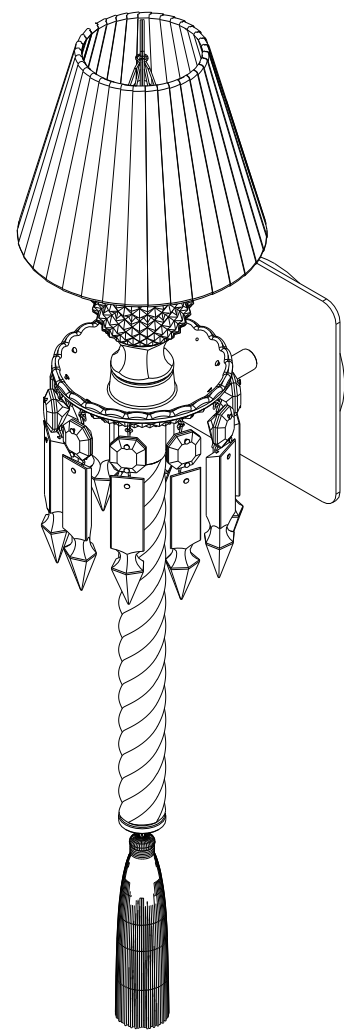
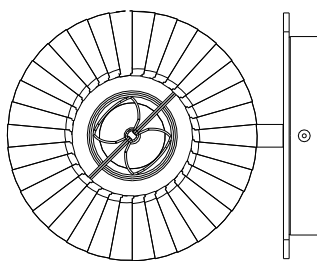
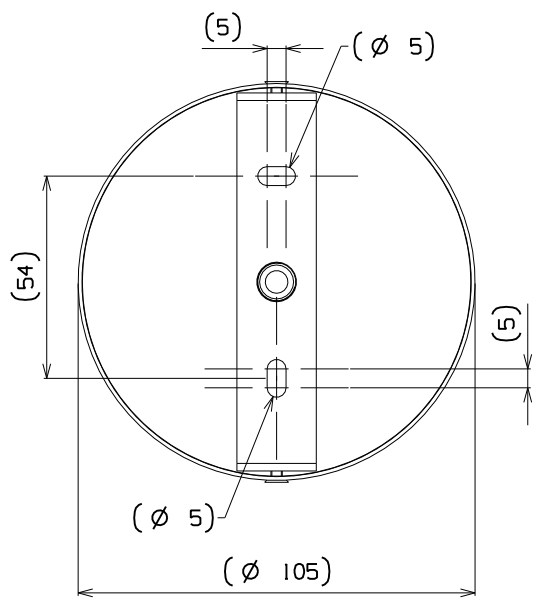


Detail systeme de fixation  
Ech 1:2



*Baccarat*  
**TORCH** 2602830  
**TORC-APPL CEI**

40W  
220-240V~ 50/60Hz  
- E14 1 X MAX 40W

IP20  
ta: 25°C

CE Manufactured by *Baccarat*  
54120 Baccarat FRANCE

CODE 2602830

Ech. Scale: 1/4	A3	POIDS / WEIGHT: 1,7 kg	DATE: 15.12.10	FOLIO: 1/1
<i>Baccarat</i>		Siege Social et Manufacture / Head Office and Factory : 20, rue des cristalleries - 54120 BACCARAT Tel. +33 (0)3 83 76 60 06 Telecopie +33 (0)3 83 76 60 04		
PLAN D'ENSEMBLE GLOBAL DRAWING:		Arik LEVY	NUMERO PLAN / DRAWING NUMBER: 144866	
TORC-APPL CEI "TORCH"				